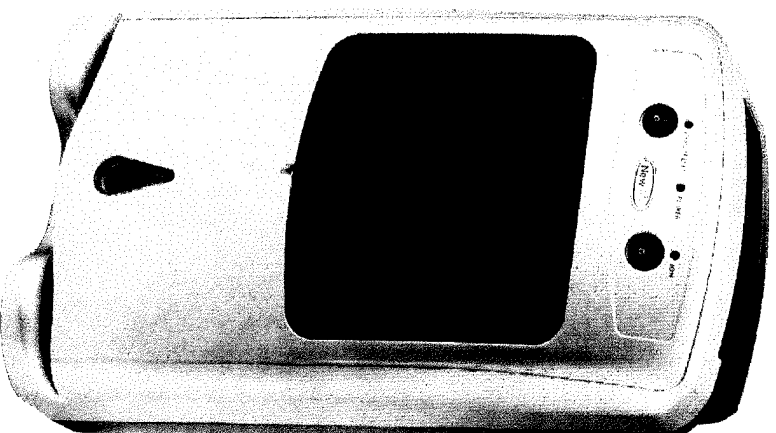




# Mini Dehumidifier

Model No.: ADS-600  
Instruction Manual



Thank You For Purchasing Our Series of Products,  
Before Operating The Unit, Please Read This Manual  
Completely & Retain It For Future Reference.

**AUTIONS:**

Before installation, use or maintenance, read all safety instructions in this manual carefully.

Remove all packaging materials from the unit, and keep away from infants and small children to avoid the danger and suffocation.

Before inserting the plug, makes sure that the voltage is within the range indicated on the rating label of the adapter.

The dehumidifier is intended exclusively for the use for which it was created, and we are not responsible for any damage caused by improper use.

The dehumidifier is safe, but as with any electrical appliances, use it with care. deal for bedrooms, stockrooms, labs, closets, cupboard, or wherever dampness may be a problem.

Do not use this unit in the bathroom or shower.

Do not allow water to drip onto the adapter or dehumidifier.

Ensure that the filter and front vents are clean and free of any obstruction to allow for a free circulation of air through the unit.

Any service of than regular cleaning should be performed by an authorized service representative.

If the supply cord becomes damaged, it must be replaced by the manufacturer, its service agent, or a similarly qualified person in order to avoid a hazard.

**INTRODUCTIONS:**

•The Mini Anionic Electric Dehumidifier is incredibly energy-efficient in removing excess atmospheric moisture from any room, to create a comfortable environment and protect your furniture as well as electronic devices from water damage.

•The advanced and innovative separable adaptive design makes for easy storage in a closet or cabinet.

•It uses cutting edge technology, a thermo-electric peltiers design, and an anion generator.

•It is large enough for a small to mid-sized bedroom, but small enough to fit inside a closet or on a table.

•With its portable and lightweight design, this unit is easy to move from room to room, and it is light and handy to operate in small spaces.

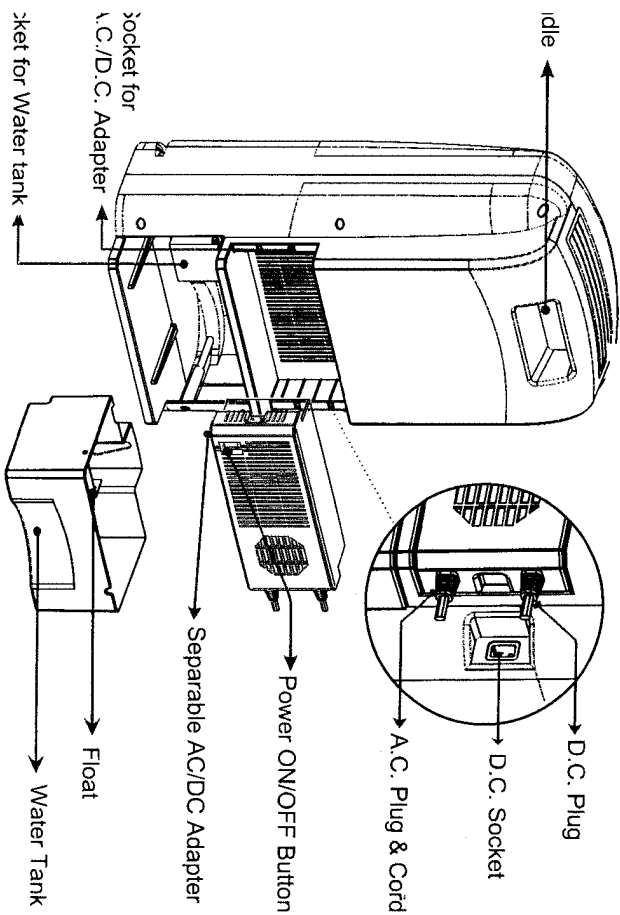
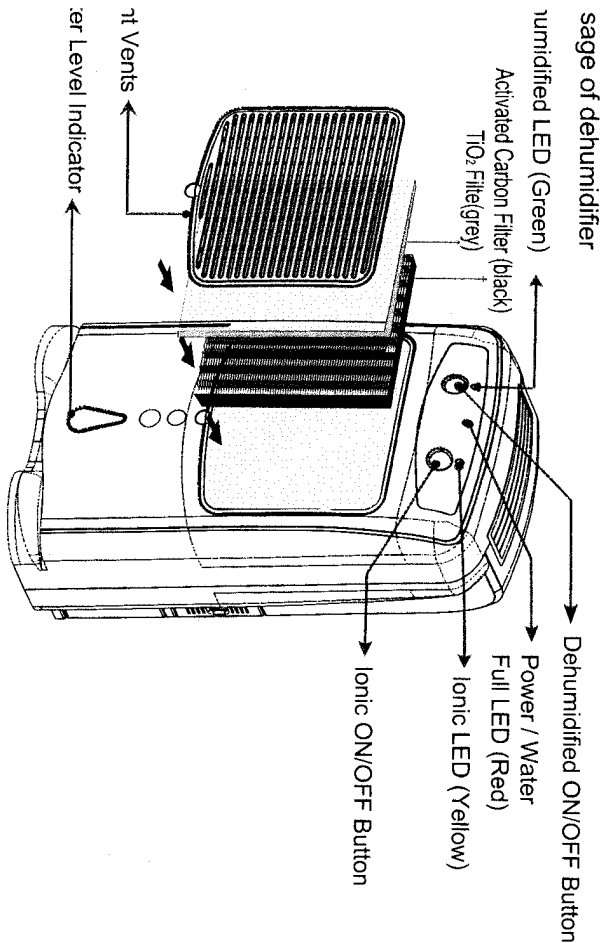
•The ionizer discharges negative ions (anions) to freshen the air and eliminate mildewy odors, while at the same time providing fresh air through the ionizer and deodorizing filter.

•The automatic Off switch is working when the Red LED indicator is lit and turns on when the water tank is full. It protects against overflow or spills.

•This will reduce the number of times you will need to empty the water.

•The dehumidifier uses no CFC refrigerant to protect the environment and reduce pollution.

## PRODUCT DIAGRAM:



## OPERATIONS:

**Please set the appliance on a flat and well-ventilated place.**

• Before plugging in, please switch off the appliance by pressing the power button on the AC/DC Adapter.

• Connect the adapter to the main body of the dehumidifier.

*Note: The D.C. plug is unable to be inserted into the D.C. socket in the wrong direction.*

• Press the dehumidified button to the on position. The power LED (red) will be off and the dehumidified LED (green) will be on when beginning operation.

• When the water tank is full, the water full LED (red) will turn on and operation will stop automatically.

• The unit will switch off automatically and the red LED indicator will illuminate when the water tank is full.

• Before emptying the water tank, turn off the dehumidifier by pressing the power button from I to O.

• Hold the top of the unit and grasp the handle of the water tank to pull out the tank completely and remove it.

• Discard the water and empty the water tank.

• Carefully insert the tank to its original position and fix the plug.

• When the power is on, press the Anionic Button On (I) and the corresponding Anionic LED (yellow) will be lighted.

*Notice: Please turn on the power before using the negative ion function.*

**SAFETY AND MAINTENANCE:**

When using the unit, please observe the following safety precautions:

Unplug the power supply cord before cleaning or storing.

Do not set the unit close to heat-generating devices or near flammable or dangerous materials.

Discard collected water from the tank as necessary.

If the power supply cord is damaged it must be replaced by the manufacturer or a qualified service agent.

If the air inlet or outlets are blocked, the unit may overload and malfunction.

Leave space between the dehumidifier and the wall behind it, as well as between each side of the wall surround it.

Before cleaning, first turn off and unplug the unit from the main socket.

Use a damp, soft cloth to clean any dust or stains from the unit. Do not use petro, benzene, or any other chemicals to clean the unit as this will result in damaging the surface.

Remove the filter from the unit, clean in water, and dry thoroughly.

Never operate the dehumidifier without the filter.

**TROUBLESHOOTING:**

If a condition listed below occurs, please check the following items before calling customer service.

Problem	Possible Cause	Solution
The unit does not operate	Has the power cord been disconnected?	Plug the power cord into the outlet. Pull out the tank and reinsert again.
	Is the tank full indicator lighted? (The tank is full or in a wrong position.)	Discard the water in the drainage tank and then reposition the tank.
The dehumidifying function does not work.	Is the temperature of the room above 95°F or below 36°F?	The protection device is activated and the unit cannot be started.
	Is the air filter clogged?	Change the air filter
No air is discharged.	Is the intake duct or discharge duct obstructed?	Remove the obstruction from the discharge duct or intake duct.
	Is the air filter clogged?	Change the air filter
Operation is noisy.	Is the unit tilted or unsteady?	Move the unit to a stable, sturdy location.
	Is the air filter clogged?	Change the air filter

**SPECIFICATIONS**

Input Voltage: 100V ~ 120V AC	Air Filter: Activated Carbon Filter + TiO <sub>2</sub> Filter
Output Voltage: 12V DC 10A	Ionizer: 3x10 <sup>6</sup> pcs / cm <sup>3</sup> ± 10%
Power Consumption: 120W	Safety Power Off: Yes
Dehumidifying Capacity: Max 32 oz (86°F, 80%RH)	Dimensions: 10.6 x 7.4 x 18.4 inches
Water Tank Capacity: 4.8 pints	N.W.: 8.5 lbs